



# neelnox

LET  
THERE  
BE **DESIGN.**

## FEATURES

- Premium 304 Grade Stainless Steel
- Solid Mount Construction
- Concealed Installation Hardware
- Solid End Cap provided for side opposite to the door for a seamless look



Small Rosette  
(Dia 1 1/8")



Medium Rosette  
(Dia 1 1/4")



Large Rosette  
(Large 1 1/2")

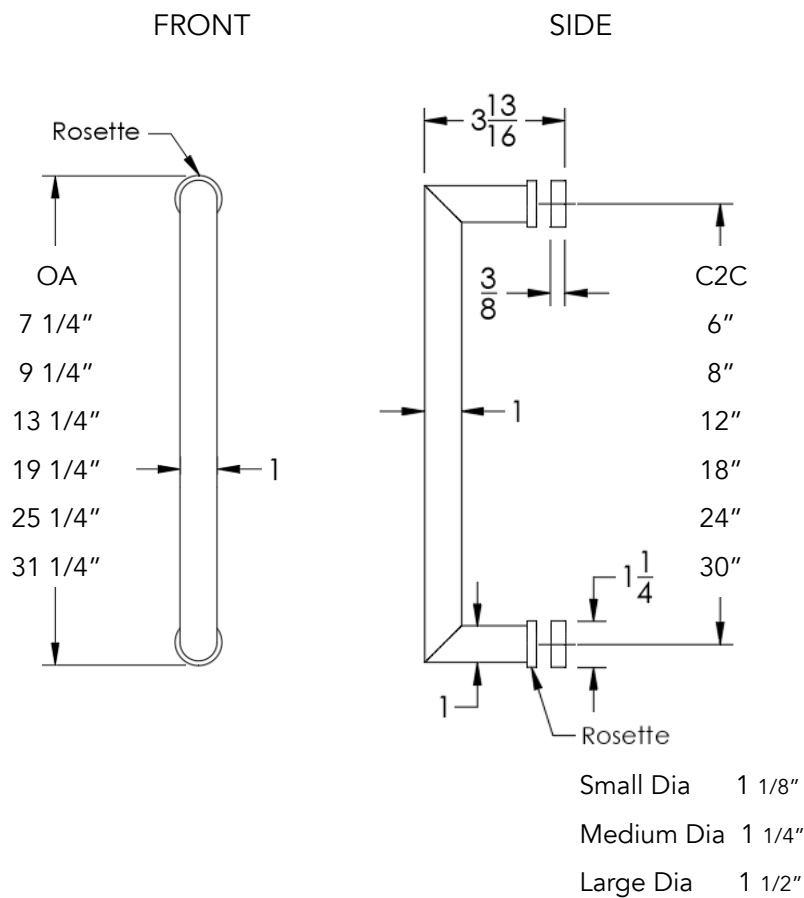
## COLLECTION FORM MODERNE

### SINGLE DOOR HANDLE

Model	Product	Finishes Available
FMD-SSD-XX-XX	Single Door Handle	Multiple finishes available. Over 23 finishes to choose from.

FINISHES			
Polished (-P)	Antique Copper (-ACOP)	Polished Gold (-PGLD)	
Brushed (-B)	Polished Brass (-PBRS)	Brushed Copper (-BCOP)	
Brushed Gold (-BGLD)	Matte White (-WHT)	Brushed Rose Gold (-BRGD)	
Matte Black (-BLK)	Brushed Modern Bronze (-BMBRZ)	Brushed Black (-BRBLK)	
Oil Rubbed Bronze (-ORB)	Glossy White (-GWHT)	Polished Black (-PBLK)	
Brushed Brass (-BBRS)	Polished Rose Gold (-PRGD)	Antique Nickel (-ANKL)	
Brushed Bronze (-BBRZ)	Unlacquered Brass (-UBRS)	Black Nickel (-NKBL)	
Antique Brass (-ABRS)	Polished Nickel (-PNKL)		

OA	C2C	Small Rosette	Medium Rosette	Large Rosette
7 1/4"	6"	FMD-SSD6-SR	FMD-SSD6-MR	FMD-SSD6-LR
9 1/4"	8"	FMD-SSD8-SR	FMD-SSD8-MR	FMD-SSD8-LR
13 1/4"	12"	FMD-SSD12-SR	FMD-SSD12-MR	FMD-SSD12-LR
19 1/4"	18"	FMD-SSD18-SR	FMD-SSD18-MR	FMD-SSD18-LR
25 1/4"	24"	FMD-SSD24-SR	FMD-SSD24-MR	FMD-SSD24-LR
31 1/4"	30"	FMD-SSD30-SR	FMD-SSD30-MR	FMD-SSD30-LR



**Installation Notes:** Center to center hole drilling dimension are same as mentioned in column. Diameter of glass hole for installation is 1/2".

Standard hardware supplied can accommodate glass thicknesses 1/4" to 1/2". Please contact us for custom hardware in case glass thickness exceeds 1/2".



Dimensions in inches

NOTE: Dimensions subject to change without notice.